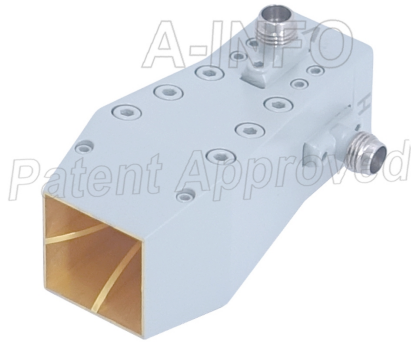


For reference only. See data sheet for the detailed specifications.

## Technical Specification

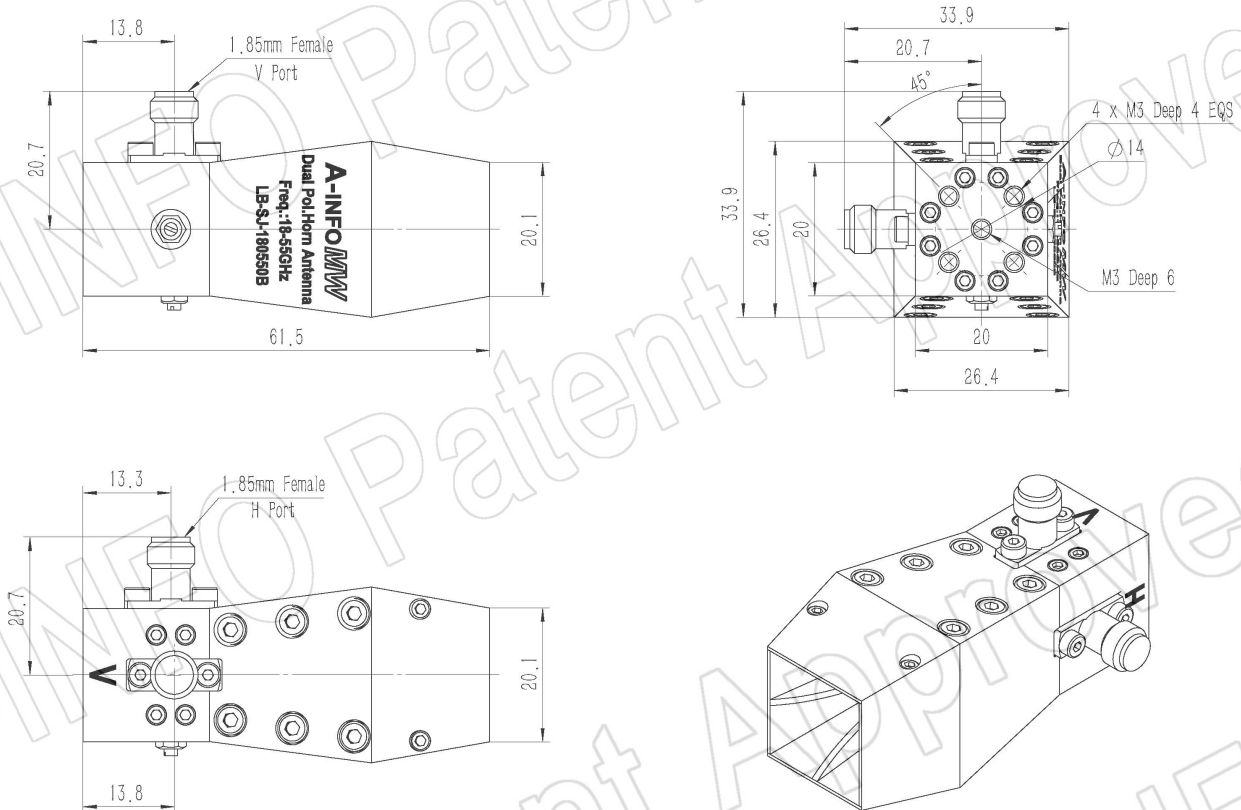


Frequency Range(GHz)	18.0 – 55.0
Gain(dBi)	15 Typ.
Polarization	Dual Linear
3dB Beamwidth(deg)	E Plane: 44 - 19
	H Plane: 54 - 22
Cross Pol. Isolation(dB)	30 Typ. ; 20 Min.
Port to Port Isolation(dB)	35 Typ. ; 25 Min.
VSWR	1.5:1 Typ.
	2.0:1 Max.
Connector	1.85mm-Female
Power Handling(W CW)	5 Max.
Material	Al
Finish	Gold Plated, Gray Paint
Size(mm)	33.9 x 33.9 x 61.5
Net Weight(Kg)	0.07 Around

**PATENT ID (US)**
**US D976881**
**PATENT ID (China)**
**ZL202110169216.0, ZL202120347928.2, ZL202030750673.5**

## Outline Drawing (Size: mm)

1.85mm-Female Output (P/N: LB-SJ-180550B-1.85F)


**AINFO Inc.**

Page 1 of 19

China(Beijing):

Tel: (+86) 10-6266-7326,

(+86) 10-6266-7327

Fax: (+86) 10-6266-7379

China(Chengdu):

Tel: (+86) 28-8519-2786,

(+86) 28-8519-3044

Fax: (+86) 28-8519-3068

USA :

Tel: (+1) 949-639-9688,

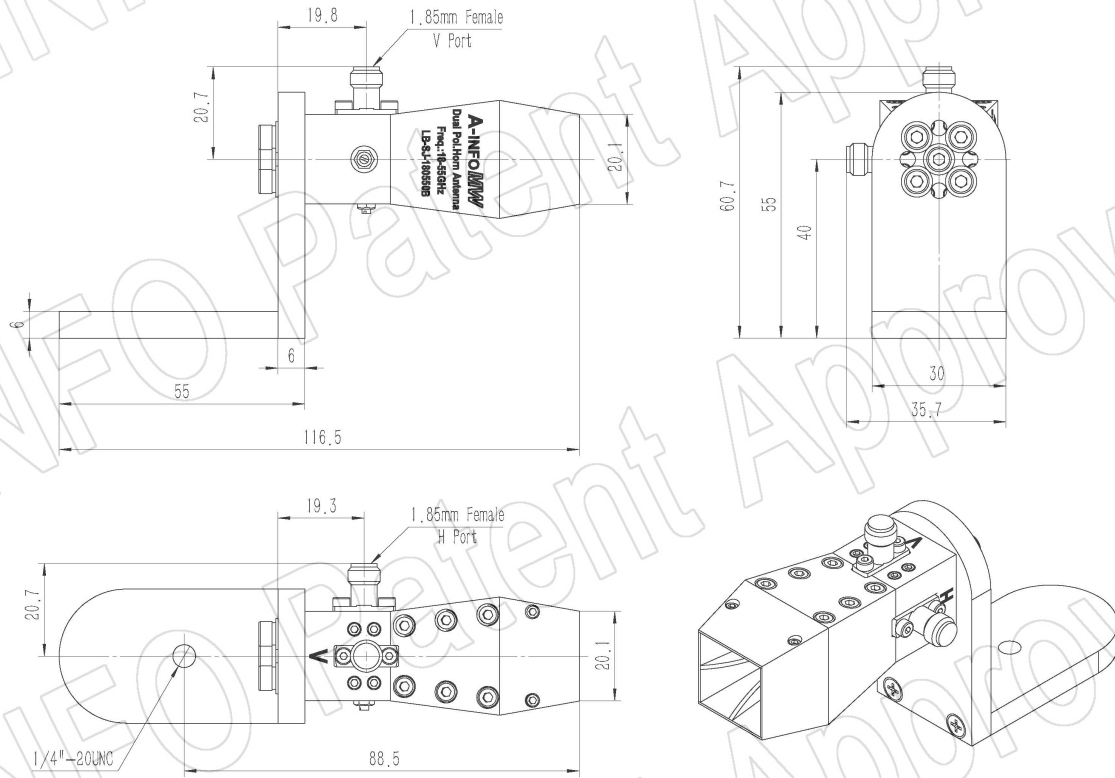
(+1) 949-639-9608

Fax: (+1) 949-639-9670

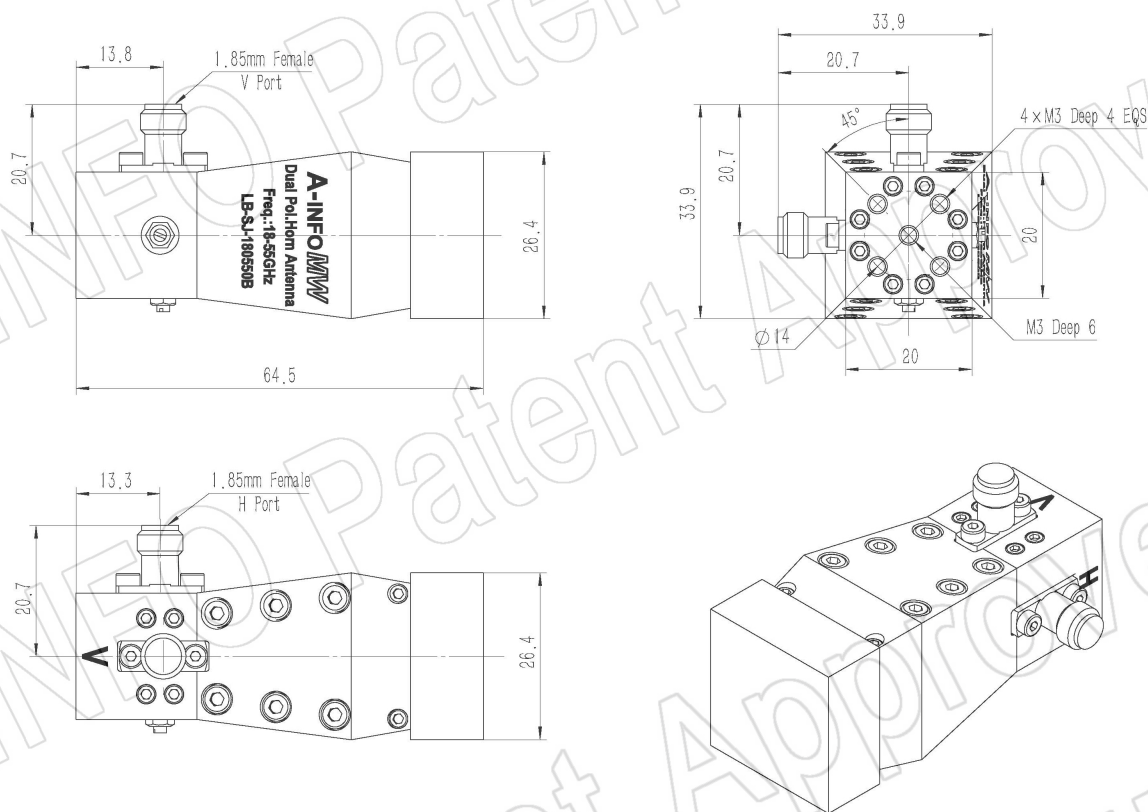
 Website: [www.ainfoinc.com](http://www.ainfoinc.com)

 Email: [sales@ainfoinc.com](mailto:sales@ainfoinc.com)

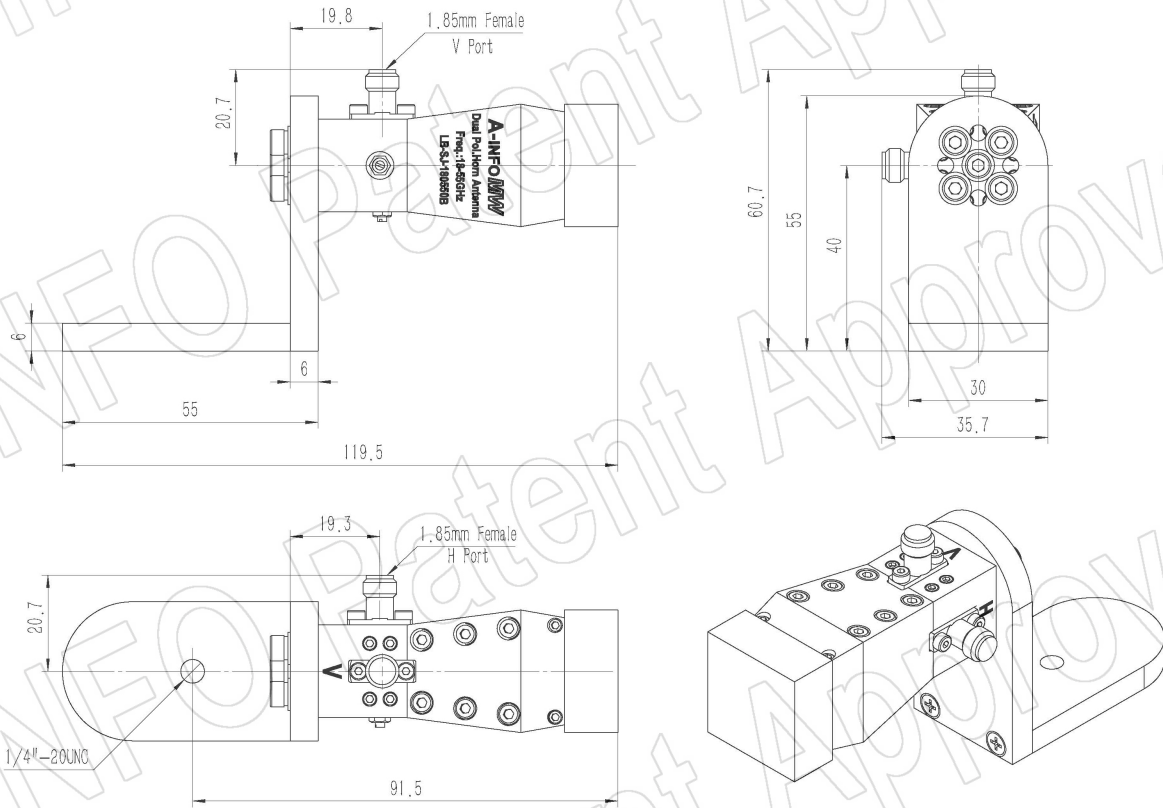
1.85mm-Female Output with L Type Mounting Bracket (Option, P/N: LB-SJ-180400-L)



1.85mm-Female Output with Radome (Option, P/N: LB-SJ-180550B-1.85FSPO, Outdoor Application)



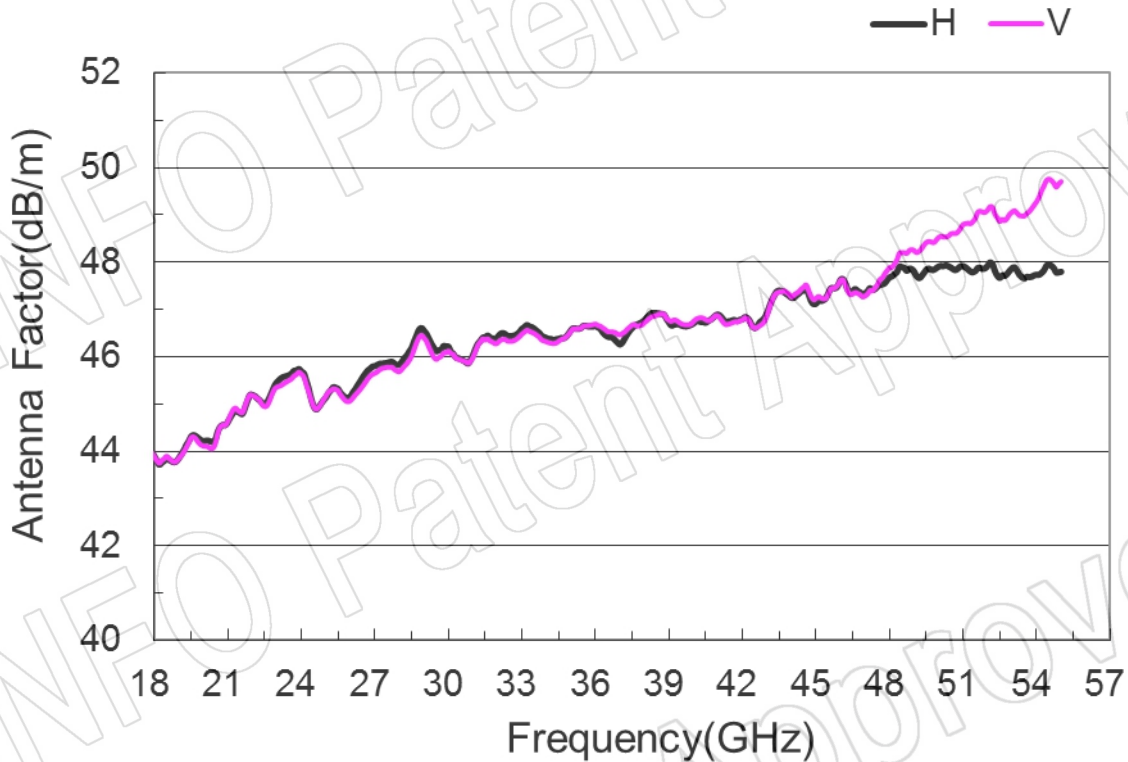
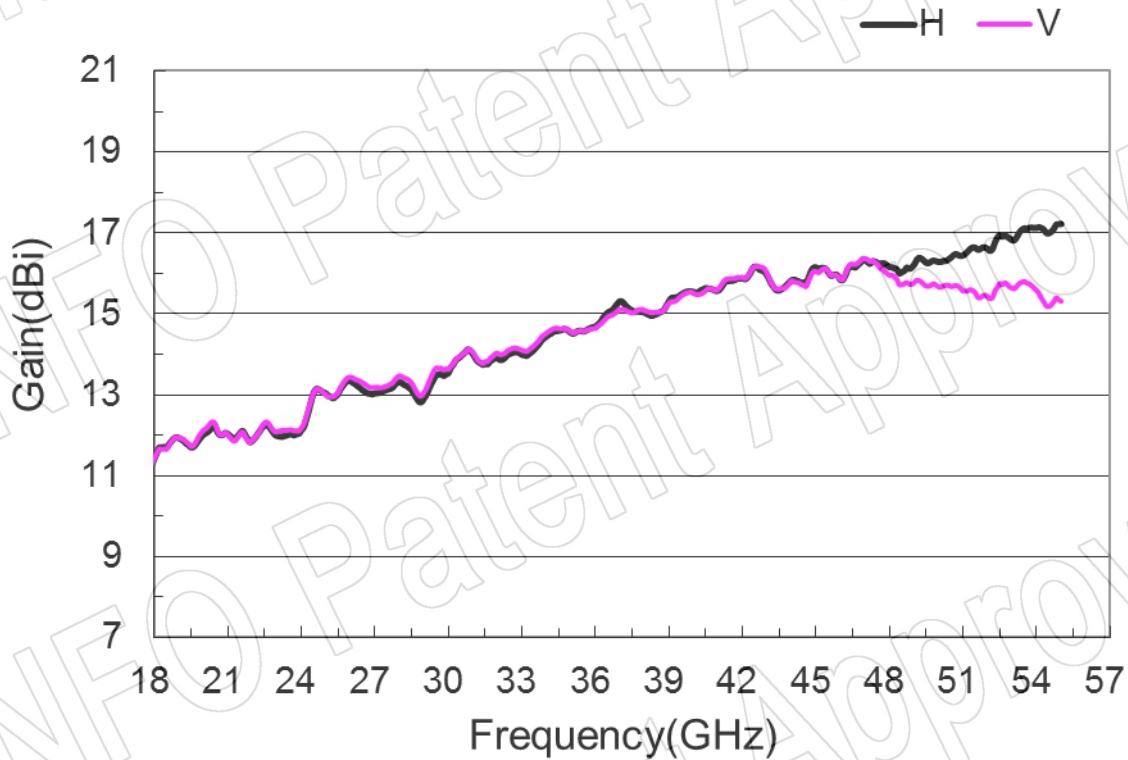
1.85mm-Female Output with L Type Mounting Bracket & Radome (Option, P/N: LB-SJ-180400-L & LB-SJ-180550B-1.85FSPO, Outdoor Application)





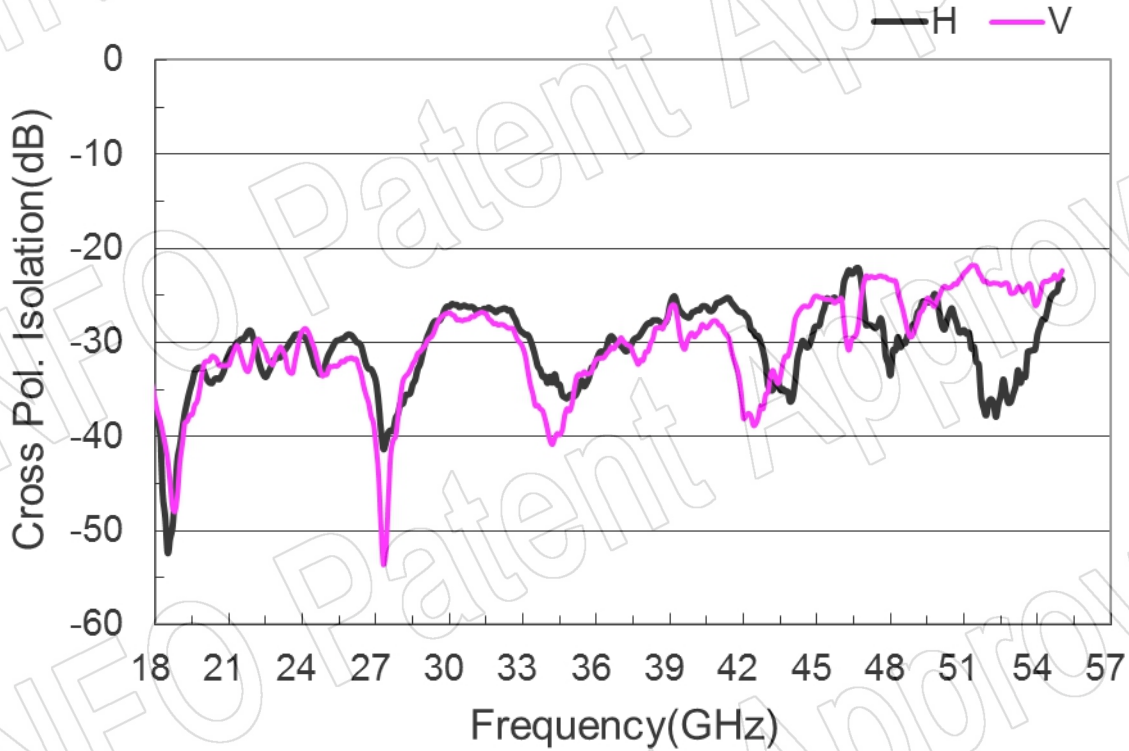
## Test Results

### 1. Gain & Antenna Factor

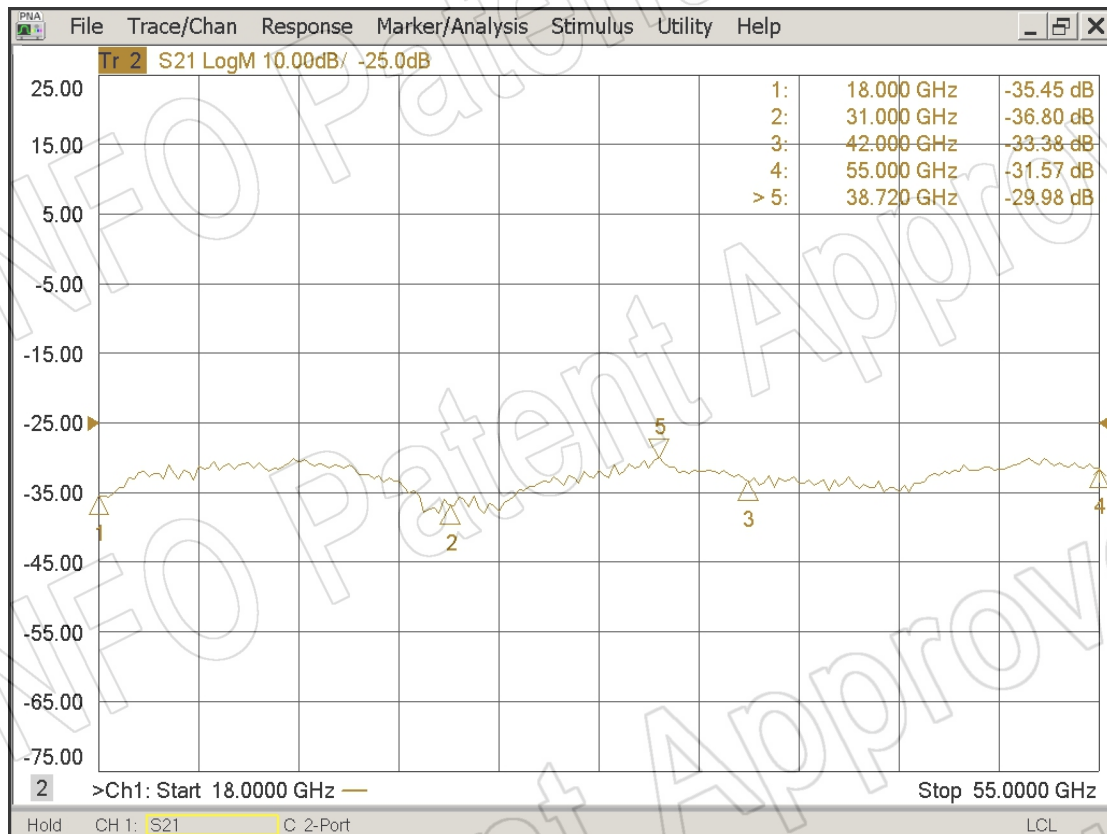




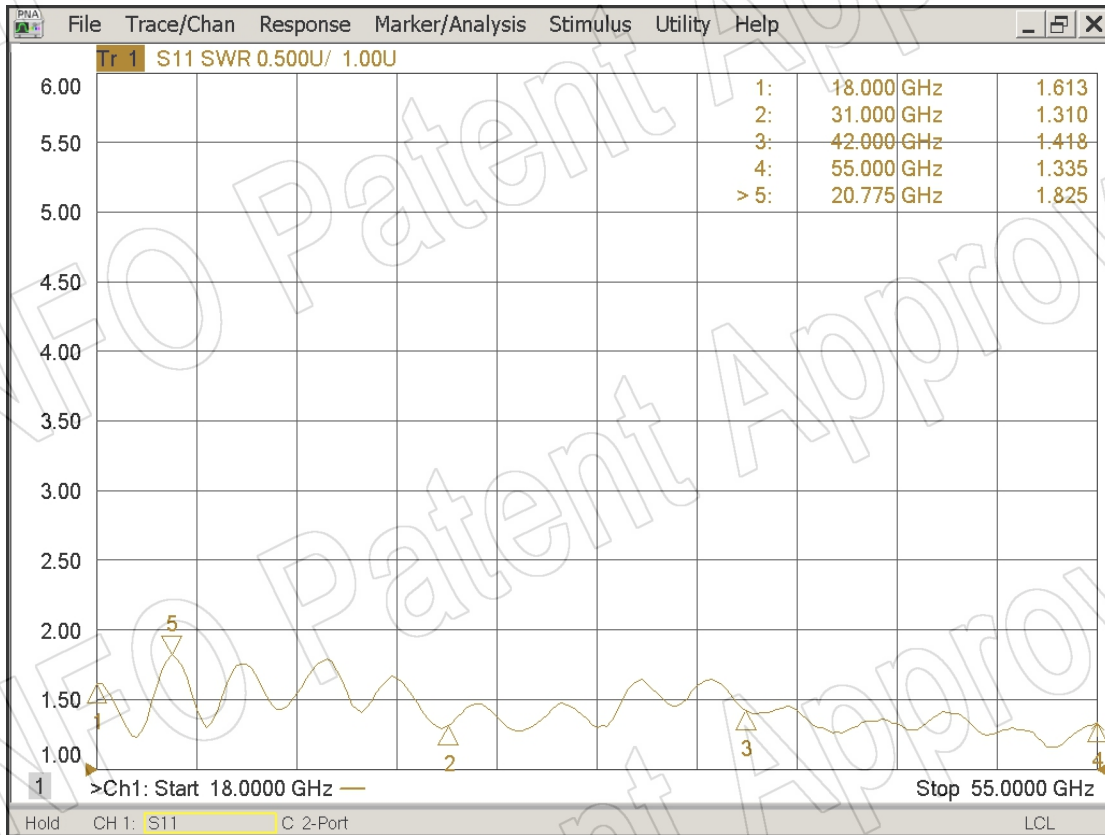
## 2. Cross Polarization Isolation



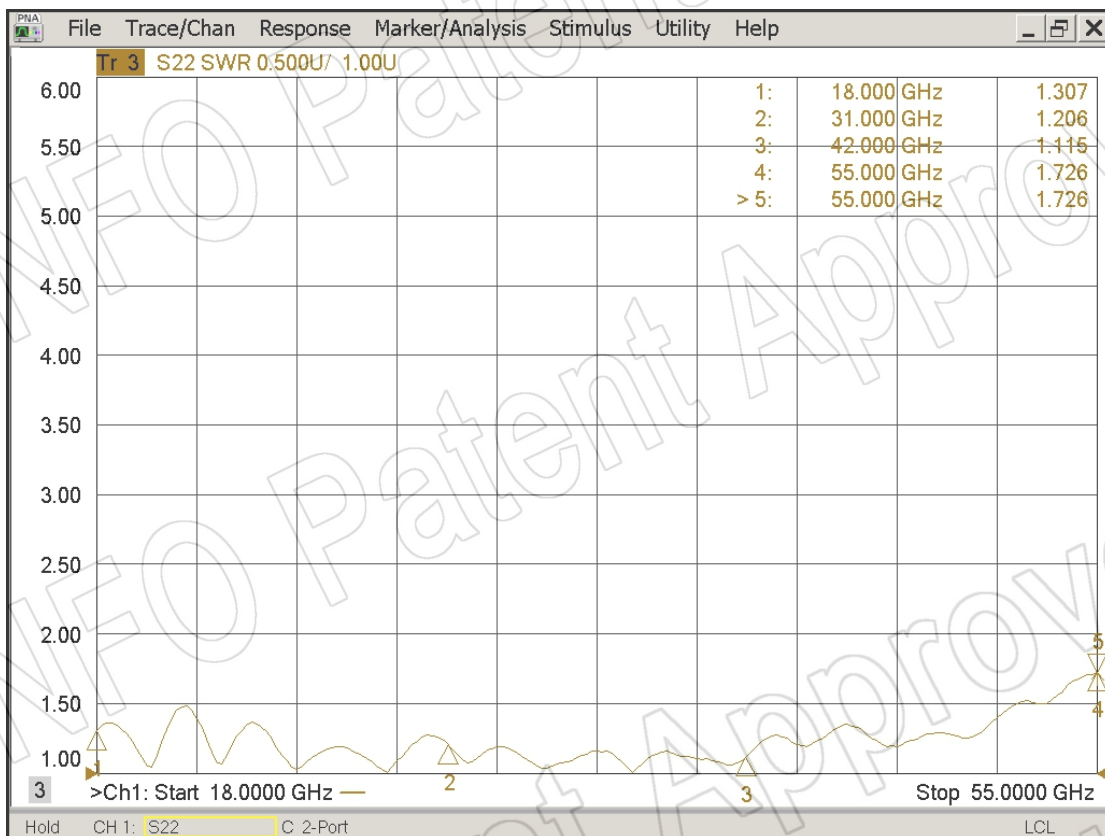
## 3. Port to Port Isolation



## 4. VSWR Port-H



## Port-V



## 5. Pattern

